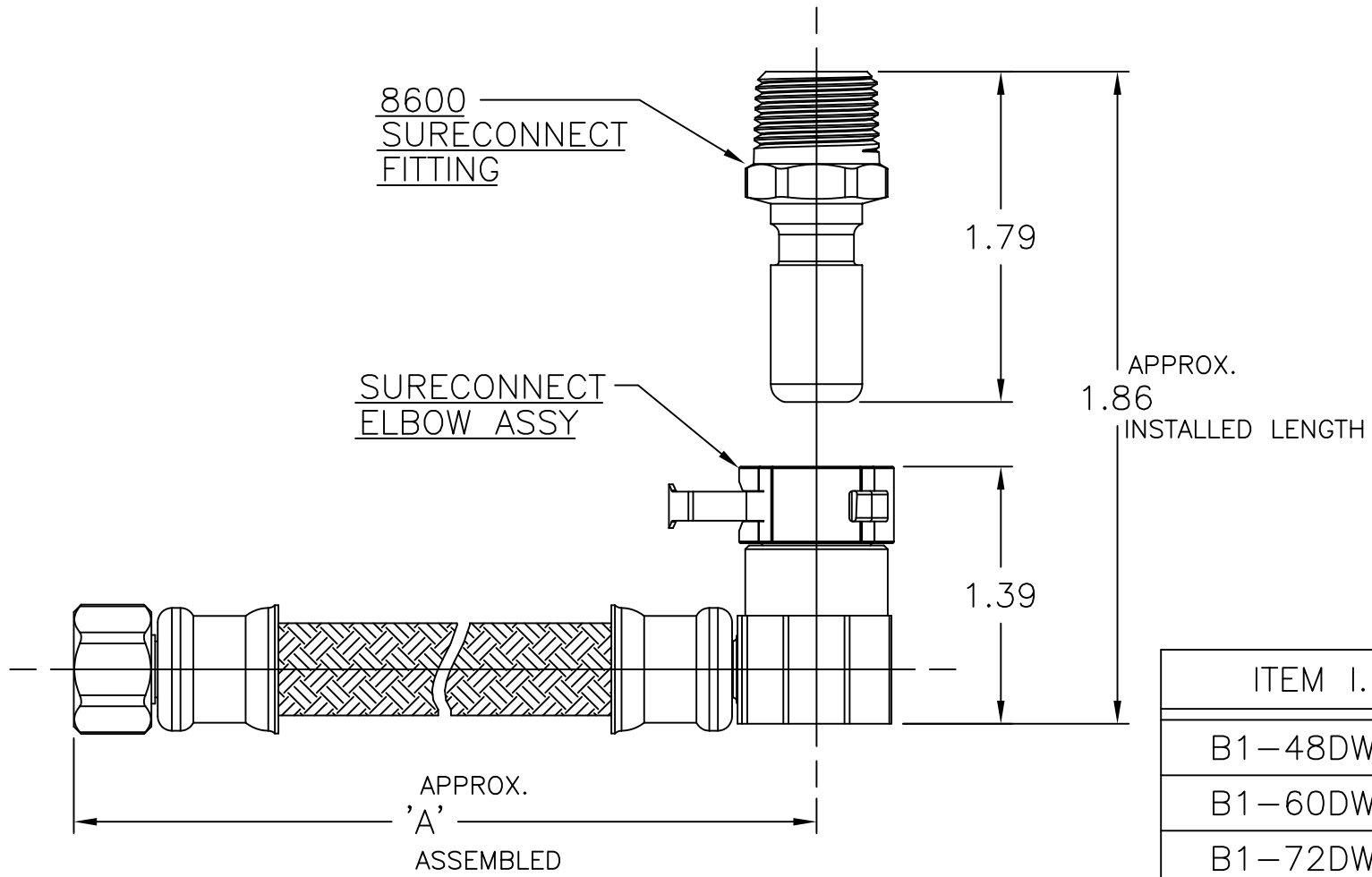


| | | | | |
|------|----------|-----|-----|---------|
| LET. | DATE | PER | BY | CHANGE |
| A | 07/30/09 | JPS | JPS | RELEASE |



| ITEM I.D. | LENGTH 'A' |
|------------|-------------|
| B1-48DWS D | 48.50/49.50 |
| B1-60DWS D | 60.50/61.50 |
| B1-72DWS D | 72.50/73.50 |



| | |
|---|--------|
| NOVI, MICHIGAN | |
| ALL GDT PER ANSI STD Y14.5M CLASSIFICATION OF QUALITY LEVELS | |
| CLASS | SYMBOL |
| KPC (KEY PRODUCT CHARACTERISTICS) | ◇ |
| STPC (STANDARD PRODUCT CHARACTERISTICS) | △ |
| PRODUCT MARKINGS | ▭ |

| | | | |
|---|---------------------|-------------------------|---|
| DESCRIPTION SURECONNECT X 3/8 OD COMP DISHWASHER CONNECTORS (SUBMITTAL) | | DRAWING NO. SPA0271A | |
| DRAWN SCHUTTE | DATE: 07/30/09 | MATERIAL | ITEM DESCRIPTION B1-48DWS SEE CHART |
| CHK'D. Tisch | DATE: 07/30/2009 | VOLUME | ITEM ID B1-48DWS D SEE CHART |
| APP'D. | DATE: | UNITS INCH | SCALE: (UNLESS NOTED) FULL |
| NOTE: UNLESS OTHERWISE SPECIFIED TWO PLACE DECIMALS +/- .010 THREE PLACE DECIMALS +/- .005 ANGULARITY +/- 1° | | SIZE A | REV. A |

This drawing and all data contained herein is the confidential and exclusive property of BrassCraft Manufacturing, and shall not be disclosed to others without the written consent of BrassCraft. This drawing must be returned to BrassCraft if requested.